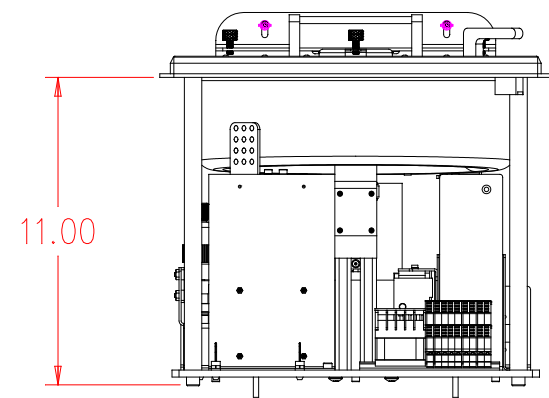
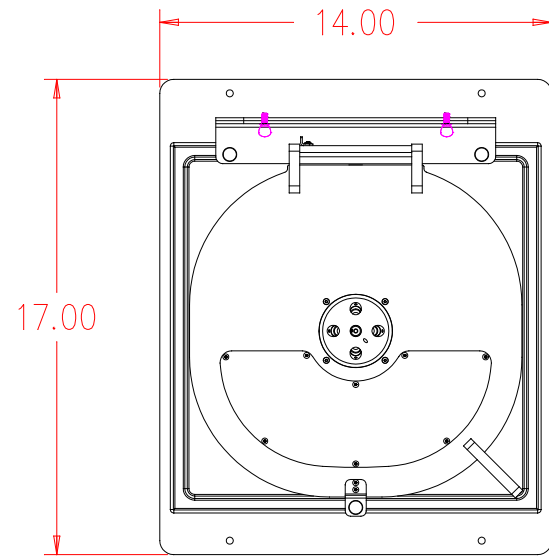


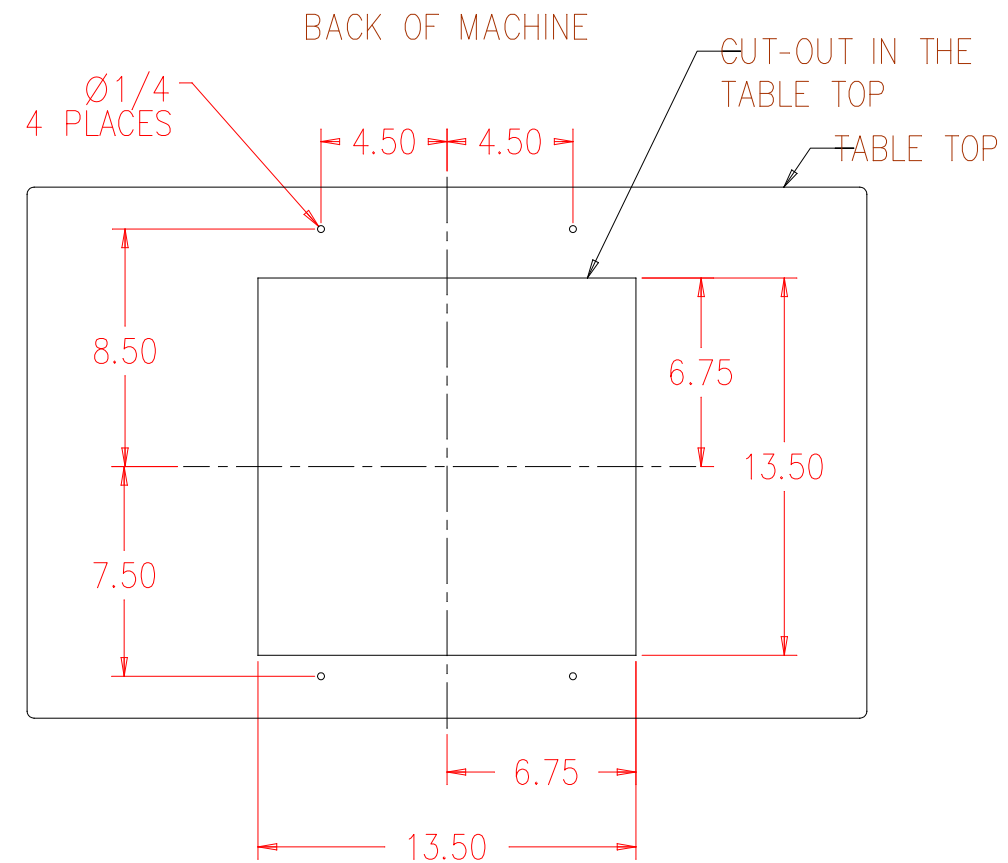
APOGEE SPINNER FLANGE MOUNT OPTION

MACHINE FLANGE DIMENSIONS



MACHINE DEPTH

TABLE TOP CUT-OUT AND MOUNTING HOLES



FRONT OF MACHINE

13.5insq CUT-OUT WITH FOUR 1/4" DIAMETER HOLES AS SHOWN

DIMENSIONS ARE INCHES

SCALE 1:1	THIRD ANGLE PROJECTION	DESIGN ENGINEER	 Cost Effective Equipment 3703 HyPoint Blvd Rolla, MO 65401 Phone: (573) 466-4300	
ALL DIMENSIONS ARE BASIC UNLESS OTHERWISE NOTED. LIMITS ON DIMENSIONS ARE		DRAWN BY		
DECIMALS .XX=±.015 .XXX=±.005 .XXXX=±.0005		APPROVED	TITLE Apogee Spin Coater Flange Utilities	
ANGLES ±1°		DATE 3/8/2019	SIZE B	
FRACTIONS ±1/64		MATERIAL	PART NO.	
THESE DRAWINGS/SPECIFICATIONS ARE THE EXCLUSIVE PROPERTY OF COST EFFECTIVE EQUIPMENT, LLC. THEY SHALL NOT BE REPRODUCED OR COMMUNICATED TO OTHERS, IN WHOLE OR IN PART, NOR BE USED AS A BASIS FOR MANUFACTURE OR SALE OF THE ITEMS REPRESENTED, WITHOUT THE WRITTEN PERMISSION OF COST EFFECTIVE EQUIPMENT, LLC.		FINISH	SHEET 1 of 2	
REVISIONS		CONTROLLER		
REV	DESCRIPTION	DATE	APPROVED	

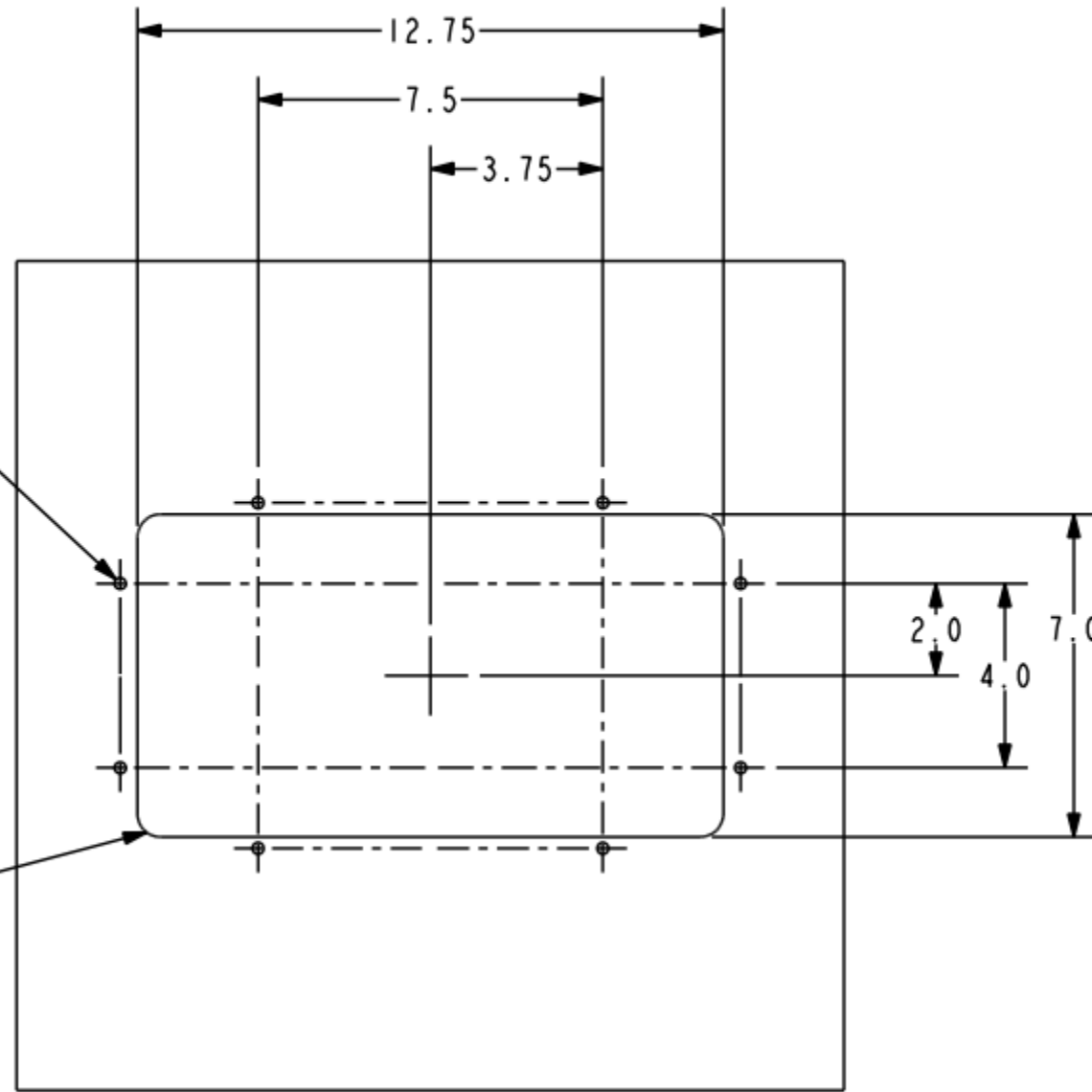
REV	DESCRIPTION	DATE	APPROVED

APOGEE FLANGE MOUNT CONTROL CONSOLE
MOUNTING PANEL CUTOUT DIMENSIONS

HOLE PATTERN AND CUTOUT ARE SYMMETRIC

CONTROL FLANGE SUPPLIED
WITH $\varnothing 1/4"$ (6MM) HOLES
8 PLACES

A 1/2" CORNER RADIUS
(12MM) MAX. IS PERMISSIBLE
BUT NOT REQUIRED
4 PLACES



SCALE 1:1	THIRD ANGLE PROJECTION	DESIGN ENGINEER	 Cost Effective Equipment 3703 HyPoint Blvd Rolla, MO 65401 Phone: (573) 466-4300
ALL DIMENSIONS ARE BASIC UNLESS OTHERWISE NOTED. LIMITS ON DIMENSIONS ARE DECIMALS .XX=±.015 .XXX=±.005 .XXXX=±.0005 FRACTIONS ±1/64	ANGLES ±1°	DRAWN BY	
APPROVED	DATE 3/8/2019	TITLE Apogee Spin Coater Flange Utilities	
THESE DRAWINGS/SPECIFICATIONS ARE THE EXCLUSIVE PROPERTY OF COST EFFECTIVE EQUIPMENT, LLC. THEY SHALL NOT BE REPRODUCED OR COMMUNICATED TO OTHERS, IN WHOLE OR IN PART, NOR BE USED AS A BASIS FOR MANUFACTURE OR SALE OF THE ITEMS REPRESENTED, WITHOUT THE WRITTEN PERMISSION OF COST EFFECTIVE EQUIPMENT, LLC.	MATERIAL	SIZE B	PART NO.
	FINISH	SHEET 2 of 2	CONTROLLER

REVISIONS				
REV	DESCRIPTION	DATE	APPROVED	